



VERSO COMFORT 70 BASIN | LAHN
VERSO COMFORT 70 WALL HUNG TOILET PAN | VSHE
VERSO COMFORT TOILET SEAT | HEST

COMMERCIAL

VERSO COMFORT	190
TWYFORD RIMLESS TOILET PAN	191
MEDICAL BASINS/TAPWARE	192
SHOWER SEATS/GRAB RAILS	193
URINALS	194



VERSO COMFORT 70 WALL HUNG TOILET PAN | VSHE
VERSO COMFORT TOILET SEAT | HEST

VERSO COMFORT 70 BASIN | LAHN

THE TOILET EVERY HOSPITAL HAS BEEN WAITING FOR!

New Rimless Toilet Pan by Twyford ...Cleaner... Healthier...Safer...

Twyford's brilliant new rimless toilet is a revolutionary breakthrough in toilet design - making the billions of germs that hide under rims homeless and making toilet cleaning easier than ever before.

This is the answer for hygiene, especially in healthcare environments and hospitals where disease causing bacteria and viruses harboured in toilets can spread infections from one person to another.

With no rim for germs to hide under, this is significant improvement towards ultra cleanliness and infection control. There are no covered rims, no hidden channels, no box sections and no tubes to gather dirt - this is a design that takes hygiene standards to a new high all round!



New truly rimless design is ultra hygienic and easy to clean.



AVALON 450 RIMLESS FLOOR MOUNT TOILET PAN | AV1968
RIMLESS SEAT RING ONLY TOP FIX, S/S HINGE | AV7861



VERSO COMFORT 70 BASIN | LAHN | \$1395
• 700mm W x 600mm D • No overflow
• Available with 1 or no tap holes



VERSO COMFORT 70 WALL HUNG TOILET PAN | VSHE | \$1839
VERSO COMFORT TOILET SEAT | HEST | \$249
• Pan projection: 700mm
• Complies with NZS 4121:2001 for wheelchair access
• 4 Star WELS water rating (4.5/3 litre flush)



VERSO COMFORT 58 FLOOR MOUNT TOILET PAN | VAHE | \$1399
VERSO COMFORT TOILET SEAT | HEST | \$249
• Pan height: 480mm • Pan projection 580mm
• Complies with NZS 4121:2001
• Requires spacer box or false wall to comply with NZS 4121: 2001 for wheelchair access
• 4 Star WELS water rating (4.5/3 litre flush)

FOR INWALL CISTERNS TO SUIT THESE TOILET PANS PLEASE REFER TO PAGE 81/83

THE TWYFORD RIMLESS TOILET PAN ALSO BOASTS MASSIVE WATER SAVINGS!

Just look at the water saved in one typical hospital application.

Standard Flush	Assume 6 litres
Twyford Rimless Flush	4 litres

2 Litres saved per flush

Assume 4 flushes per hour	
Saving per WC per hour	8 litres
Saving per WC per day	192 litres

70,080 litres saved per WC per year

Assume 4 flushes per hour	
Saving per WC per hour	8 litres
Saving per WC per day	192 litres

Saving per hospital per year = 35,040,000 litres

With water and cost savings like this, the TWYFORD Rimless isn't just revolutionising hygiene levels, its making a world of difference to the economy and environment too.

AVALON 450 RIMLESS FLOOR MOUNT TOILET PAN | AV1968 | \$859

- Pan height: 450mm (excludes seat)
- Complies with NZS4121:2001
- Pan projection: 535mm
- Requires spacer box or false wall minimum 265mm to comply with NZS 4121:2001 for wheelchair access
- 4 Star WELS water rating

RIMLESS SEAT RING ONLY TOP FIX, S/S HINGE | AV7861 | \$399

- Includes stability buffers

FOR INWALL CISTERNS TO SUIT THIS TOILET PAN PLEASE REFER TO PAGE 81

MEDICAL BASINS/TAPWARE



TWYFORD SOLA MEDICAL WALL BASIN 400 X 345 NO TAP HOLE | SA4150K | \$285
TWYFORD SOLA MEDICAL WALL BASIN 500 X 400 NO TAP HOLE | SA4250K | \$329
TWYFORD SOLA MEDICAL WALL BASIN 600 X 460 NO TAP HOLE | SA4350K | \$429
TWYFORD SOLA SEMI PEDESTAL FOR 500/600 BASIN (OPTIONAL) | VW4910K | \$255
 • No overflow for increased hygiene • Enclosed fixings for increased hygiene
 • Deep side walls for superior strength • RH or LH tap holes can be drilled on request
 • Complies with AS1428.1 • Includes bolt set



VIAREGGIO WALL MOUNT TAP WITH SWIVEL SPOUT | 631 | \$165
 • Spout reach: 205mm



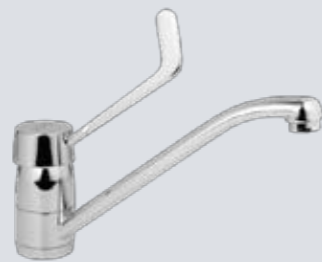
VIAREGGIO WALL MOUNT TAP WITH SWIVEL SPOUT | 632 | \$165
 • Spout reach: 205mm



VIAREGGIO LAB SINK TAP | 634 | \$245
 • Spout reach: 190mm



BLUMIX BASIN MIXER WITH MEDICAL LEVER | 201/LU | \$635



BLUMIX SINK MIXER WITH MEDICAL LEVER | 260/LU | \$555



BLUMIX WALL MOUNTED MIXER WITH MEDICAL LEVER AND SWIVEL SPOUT | 262/LU | \$679
 • Spout reach to centre: 260mm



BLUMIX SHOWER MIXER WITH MEDICAL LEVER | 222/LU | \$465

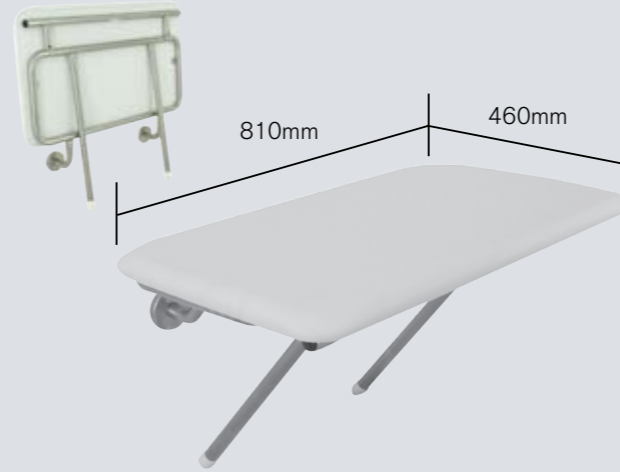


PROGETTO TIMER TAP | 925505 | \$149
 • 7 second delay



PROGETTO TUBE SENSOR TAP BATTERY POWERED | 925105B | \$669
MAINS POWERED | 925105M | \$669

progetto
TAPWARE & ACCESSORIES



PROGETTO FOLDING SHOWER SEAT | FSS810W | \$995
 • Manufactured from Stainless Steel with sealed, padded seat
 • Complies with NZS4121:2001

sf Special Feature: Unique non-slip surface - will not trap infection and ensures greater safety for user



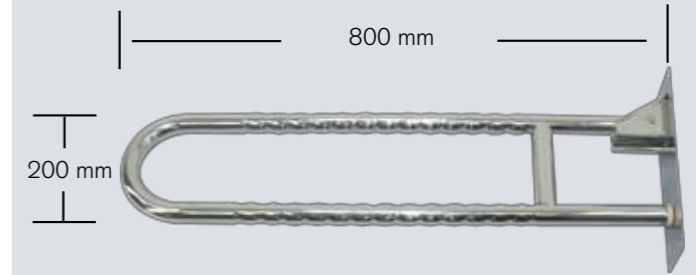
PROGETTO STAINLESS STEEL GRAB RAILS
300MM | GR300SS | \$115
450MM | GR450SS | \$125
600MM | GR600SS | \$139
800MM | GR800SS | \$199
600MM X 600MM X 90° | GR600SS.90 | \$185
750MM X 750MM X 90° | GR750SS.90 | \$209
 (measurements are centre to centre)
 • 32mm diameter stainless steel tubing
 • Complies with NZS4121:2001
 • Concealed flanges with stainless steel screws



PROGETTO POWDER COATED GRAB RAILS
200MM | GR200PC | \$45
300MM | GR300PC | \$49
450MM | GR450PC | \$65
600MM | GR600PC | \$69
600MM X 600MM X 90° | GR600PC.90 | \$135
750MM X 750MM X 90° | GR750PC.90 | \$149
 (measurements are centre to centre)
 • Ideal for interior use
 • Supplied with stainless steel screws
 • 25mm diameter tubing
 • Pre treated for rust prevention



sf Special Feature: Unique non-slip surface - will not trap infection and ensures greater safety for user



PROGETTO LOOPED HINGED GRAB RAIL | LHGR800SS | \$365
 • User friendly, fold away double rail
 • Unique non-slip surface - will not trap infection and ensures greater safety for user
 • Manufactured from 32mm diameter Stainless Steel
 • Complies with NZS4121:2001

COMMERCIAL

COMMERCIAL



CATALANO BIG BOY URINAL | BIGBOY



CATALANO BIG BOY URINAL
BIGBOY | \$1275
CATALANO BIG BOY URINAL COVER
COST | \$159
• 5 Star WELS water rating (1 litre flush)
• Can be installed with or without urinal cover



TWYFORD CLIFTON URINAL BACK INLET
VC7002/4820K | \$485
• Includes waste, sparge pipe and brackets
• Bottletrap not included - see page 199

RIA URINAL TOP INLET | 108500 | \$229
• Includes waste and brackets



ECO TOP INLET URINAL VALVE | 5190641 | \$229
• Suits RIA urinal



TONDA URINAL BACK INLET | TON200 | \$609
• 5 Star WELS water rating (1 litre flush)



TWYFORD URINAL DIVISION
VC8051/5706 | \$405
• Includes brackets

TEMPO CONCEALED URINAL VALVE | 260B | \$339
• Suits back inlet urinals



TEMPO CONCEALED URINAL VALVE | 260B | \$339
• Suits back inlet urinals